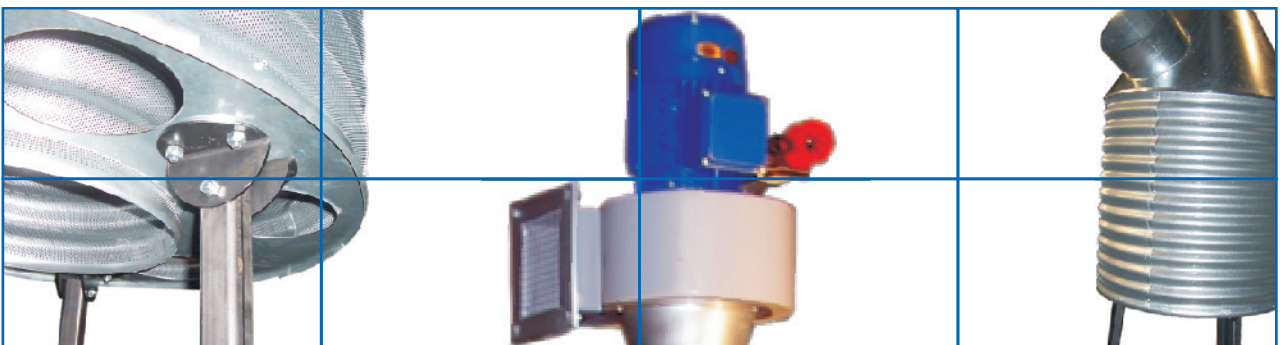




**schmelzer**  
MASTERING METALS

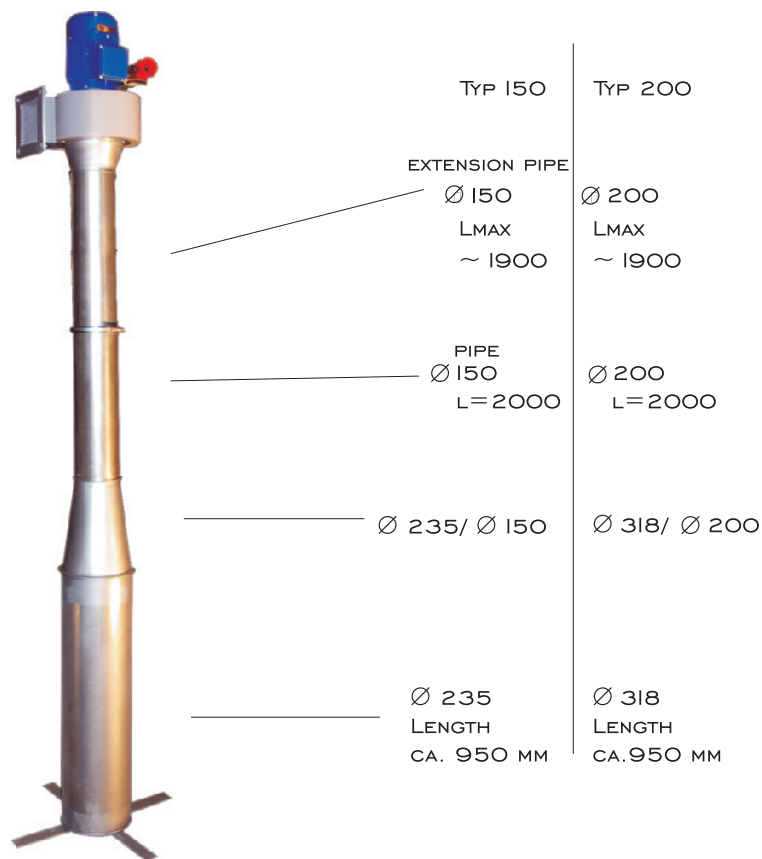
# Ventilation system

   
Air-Pillar / Air-Rocket



## Description

The Air-Pillar offers short-term ventilation for grain storage at a reasonable price. Its anti-condensation slide pipe system can be stacked up to a maximum height of 5.30 metres, alternatively of up to 10 metres. The ventilator can be shifted around, so that just one ventilator is required to air big storage space.



# Ventilation system

## Air-Pillar

AIR – PILLAR Type  
150 (without ventilator)

4009003016172

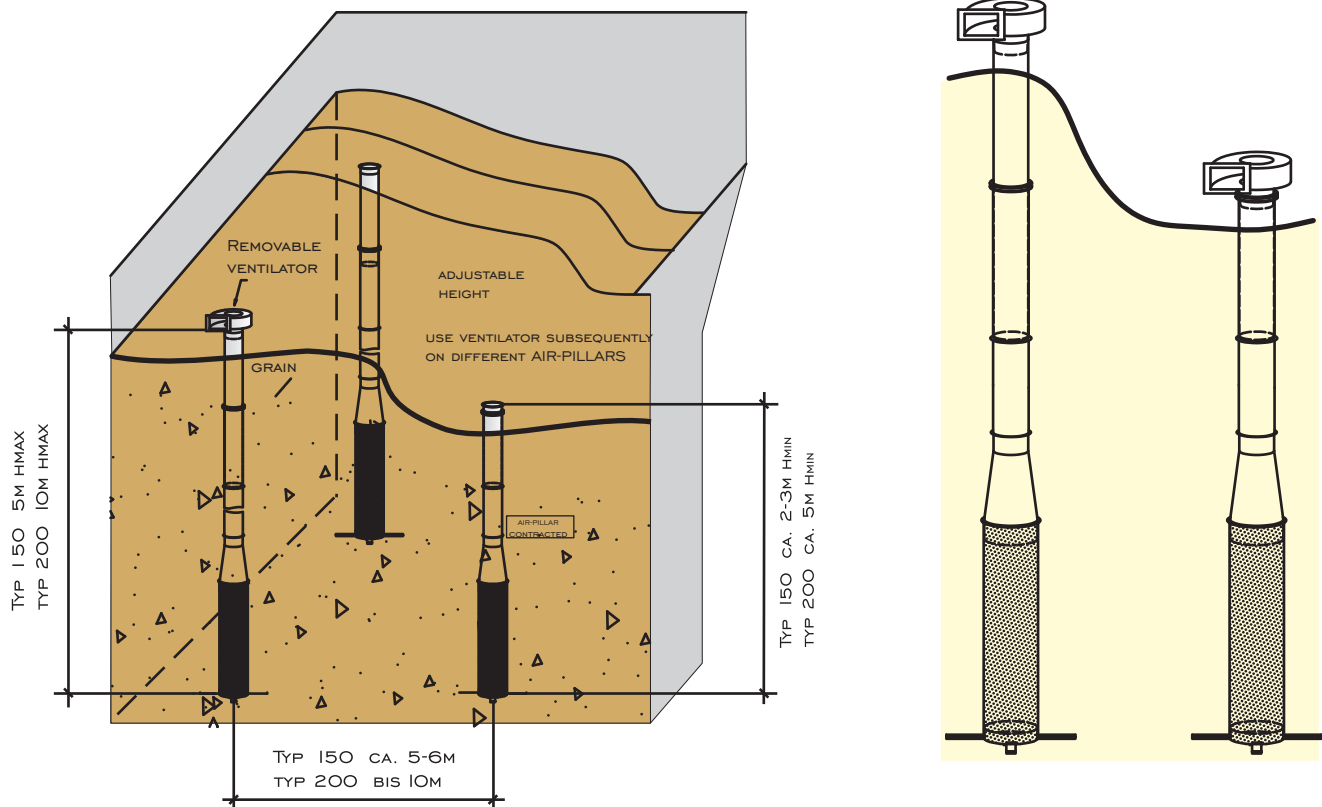
AIR – PILLAR Type  
200 (without ventilator)

4009003016173

### Equipment Ventilator

Technical data LCI,5 T:

Motor capacity: 1,5 kW  
Air capacity: 2500 m<sup>3</sup>/h



Only the AIR PILLAR has the new developed  
**Anti-Condensate extension pipe System (ACS)**

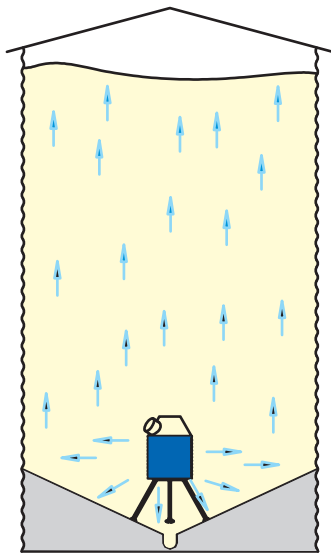
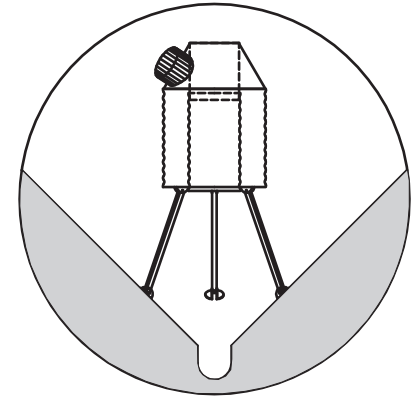
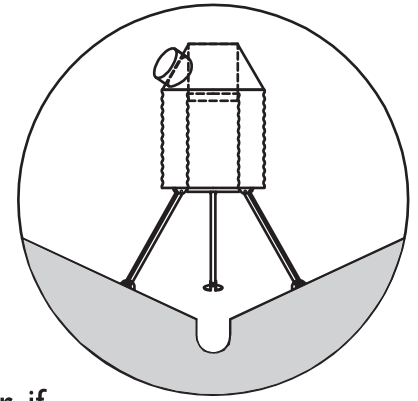
# Ventilation system

## Air-Pillar

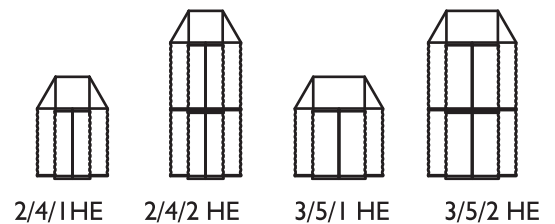
- build up a flat storage within a short term with minimum ventilation
- get no trouble during unloading your storage (damage of air channels)
- avoid grain damage by condensate on the pipe outside
- a low - priced ventilation
- be able to ventilate a big storage with only one ventilator
- work in different storage heights from 5 m to 10 m
- an extremely high ventilation area of more than 28 %
- very easy assembly

## Ventilation devices for big grain silos (190 to 400 tons)

- very robust due to wave structure
- all-purpose application for any cone-shaped slants
- delivered dismantled, therefore suitable for subsequent installation in existing plants
- improves the efficiency of the amount of air contributed
- reduces the airing time by up to 40%
- less loss of pressure due to large blow surface, therefore less energy consumption or bigger amount of air, if ventilator already available
- central air contribution i.e. extremely constant ventilation
- long-term reduction of grain humidity



### Available Sizes



2/4/1 HE

2/4/2 HE

3/5/1 HE

3/5/2 HE

# Ventilation system

## Air-Rocket

### "Air-Rocket" ventilation device for big silos

Type	Air exit area in m <sup>2</sup> and %							
	outer		inner		at base		total	
K30 2/4 1HE	0,75 m <sup>2</sup>	65,5%	0,34 m <sup>2</sup>	30,0%	0,05 m <sup>2</sup>	4,6%	1,14 m <sup>2</sup>	
K30 2/4 2HE	1,49 m <sup>2</sup>	66,1%	0,71 m <sup>2</sup>	31,6%	0,05 m <sup>2</sup>	2,3%	2,26 m <sup>2</sup>	
K30 3/5 1HE	0,93 m <sup>2</sup>	61,6%	0,51 m <sup>2</sup>	33,8%	0,07 m <sup>2</sup>	4,6%	1,51 m <sup>2</sup>	
K30 3/5 2HE	1,87 m <sup>2</sup>	62,0%	1,07 m <sup>2</sup>	35,7%	0,07 m <sup>2</sup>	2,3%	3,01 m <sup>2</sup>	