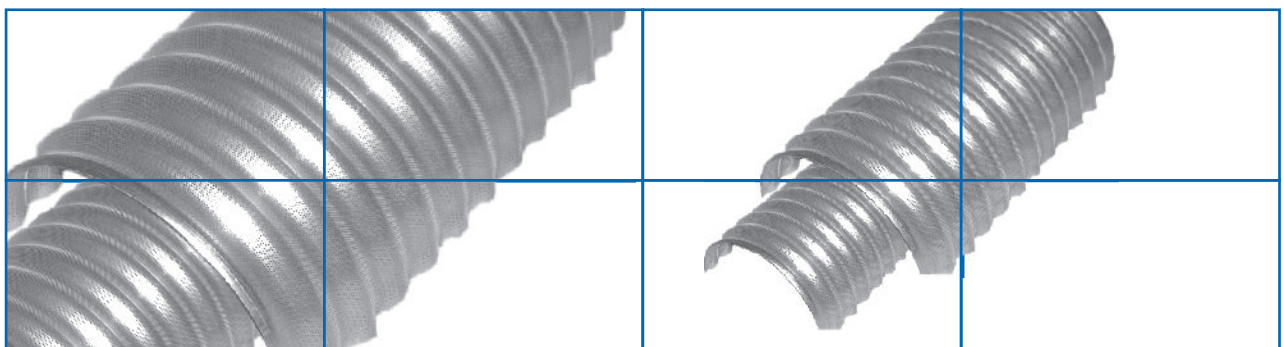




# ventilation systems

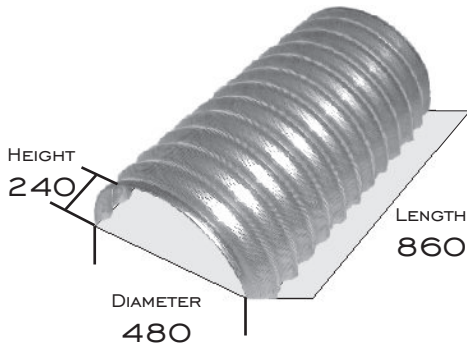
Air - Gigant



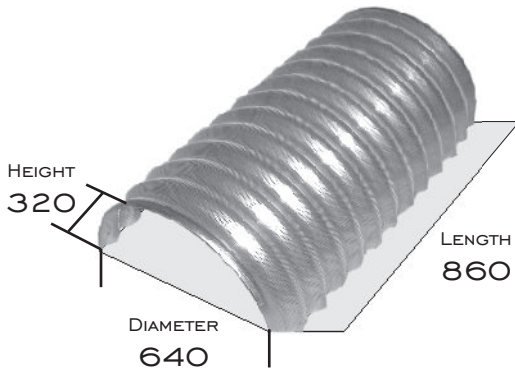
## TYPE AIR-GIGANT



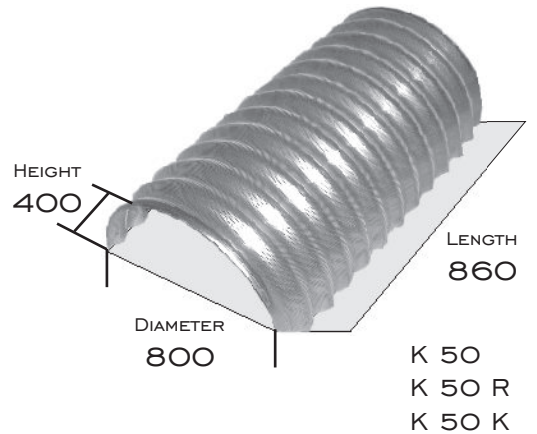
- AVAILABLE IN VARIOUS SIZES  
K30 / K40 / K50 / K60
- ZINC-COATED DESIGN
- VARIOUS MODELS AVAILABLE
- UP TO 25.52 % OPEN CROSS SECTION
- REINFORCED TYPE T
- SUITABLE FOR RAPE TYPE R
- FOR POTATOES TYPE K



K 30  
K 30 T  
K 30 R  
K 30 K



K 40  
K 40 T  
K 40 R  
K 40 K



K 50  
K 50 R  
K 50 K

# Air - Gigant

## Air - Gigant

Ambros Schmelzer & Sohn GmbH & Co. KG | Dr.-Zimmer-Str. 28 | D - 95679 Waldershof  
Telefon 0049 (0) 92 31 / 97 92 - 0 | More information in the internet: [www.a-schmelzer.de](http://www.a-schmelzer.de)

	Measurements			Design			
	Width	Height	Length	Standard	Reinforced	Potatoes	Rape
<b>K30</b>	480mm	240mm	860mm	X	X	X	X
<b>K40</b>	640mm	320mm	860mm	X	X	X	X
<b>K50</b>	800mm	400mm	860mm	X		X	X
<b>K60</b>	960mm	480mm	860mm			X	